

SCHEDULE OF WORKS:-
 Carefully take up the existing paviors to the oval area shown and dispose of.
 Make good as necessary to the existing sand bed to accept the new paviors.
 Sand bedding should be 40mm thick well compacted layer of sharp sand to take new paviors.
 Lay new areas of new paviors all as shown and noted on the Plan as Proposed.
 All levels & falls to be as existing and contractor to ensure that there are no trip hazards or ponding issues..

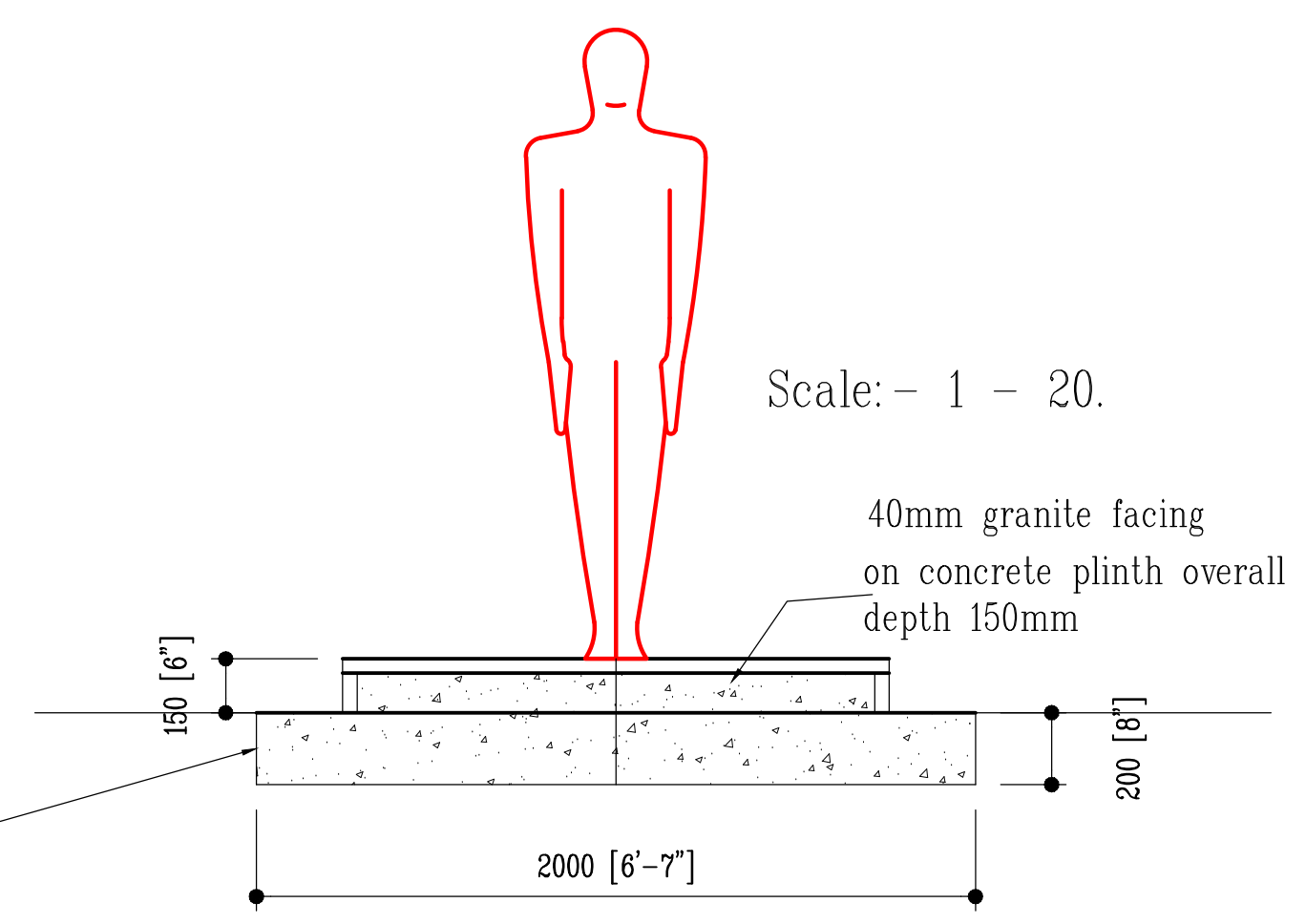
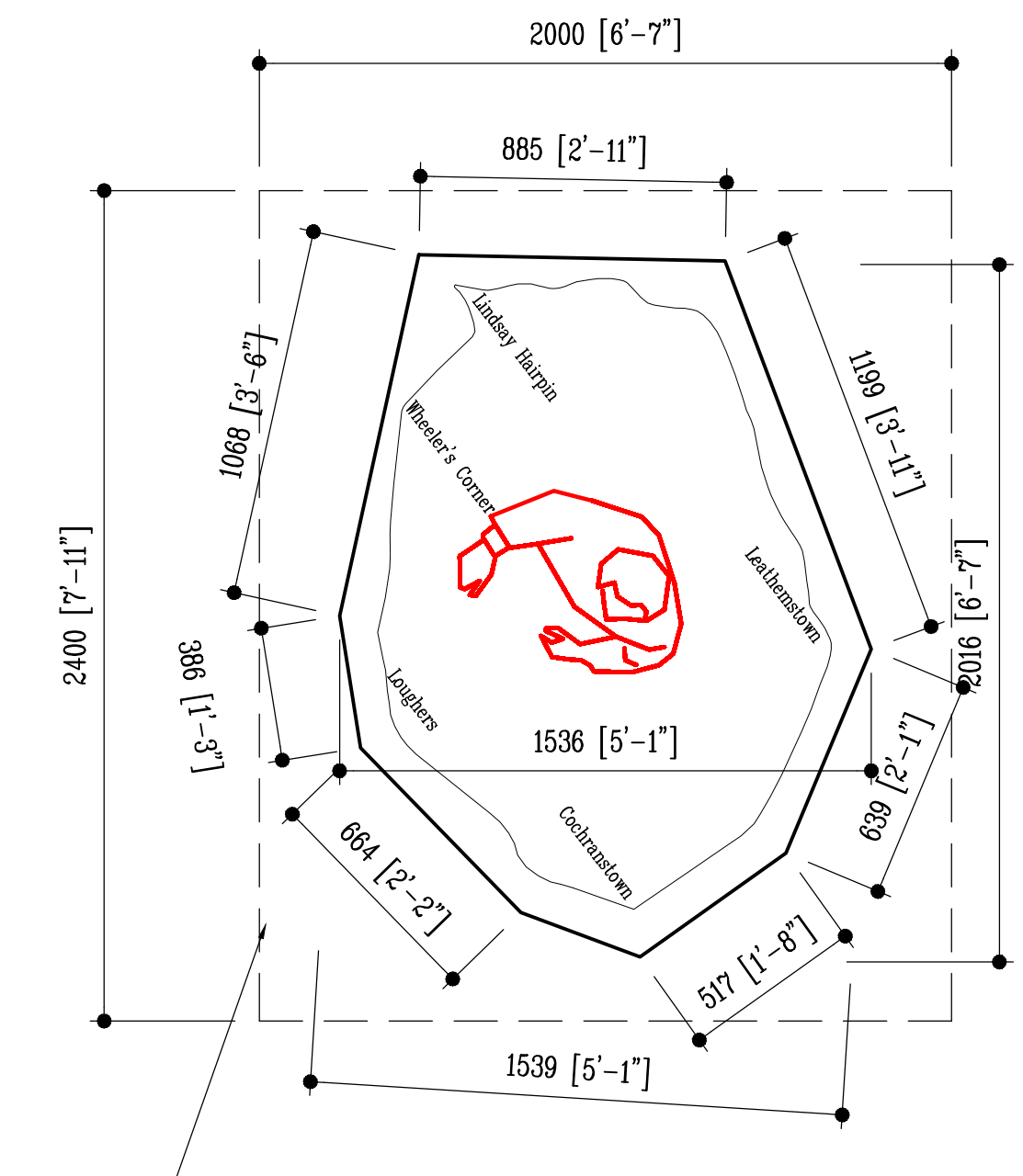
Prior to paving the area excavate for and form new concrete (C35) base 2400 x 2000mm x 200mm deep on new 150mm deep layer of hardcore to support new Granite Plinth and Statue of William Dunlop.

New granite plinth to be concrete faced with 40mm granite of a similar finish to the granite on the plinth of Robert Dunlop's statue
 Overall depth of plinth to be 150mm (approx). Granite to be supplied and fixed by a specialist contractor and a sample of the proposed granite to be approved by the client prior to ordering.

The new William Dunlop Statue will be supplied and fitted by Others.

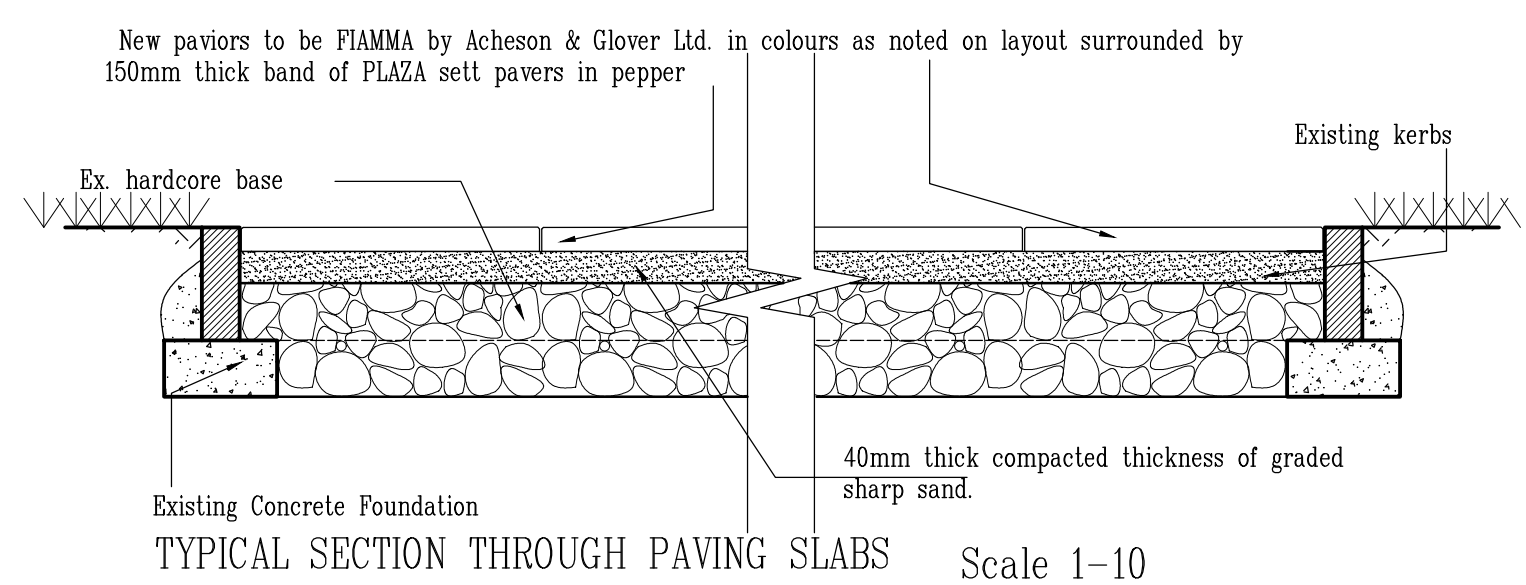
Make good to all areas where disturbed.

NOTE:-
 The plinth will be approximately 150mm (6 inches) to the finished top level.
 The plinth will be black polished granite - a similar finish to Robert's plinth.
 The corners named on the Ulster Grand Prix Course are Lindsay Hairpin, Leathemstown, Cochranstown, Loughers and Wheeler's Corner.
 The location of the statue support pins to be provided by the Sculptor.



DETAIL OF WILLIAM'S STATUE.

GENERAL
 All plant & materials shall be stored within the curtilage of the site.
 Precaution shall be taken to prevent the deposit of mud & other debris on the road way outside the site by vehicles travelling to & from the site, any deposit of mud, refuse etc. on the nearby roadway caused through the operations shall be removed.
 Adequate provision shall be made to ensure that surface water does not flow from the site onto the public road.
 All dimensions to be checked on site before work commences. Use figured dimensions in preference to scaled dimensions.
 Scaled dimensions must not be used for ordering materials.
 Contractor to comply in all respects where appropriate with Health & Safety at work legislation & in particular to scaffolding & protection hats.
 Contractor to ensure that he knows the location of all existing services; whether hidden in structure, underground or overhead before commencement of work.
 ALL ALTERATIONS TO BE NOTIFIED TO THE ARCHITECT



WARNING
 The information provided on this drawing in respect of statutory or other external service information cannot be guaranteed to be accurate, is given for assistance and general guidance and that routes may deviate. R. Robinson & Sons. therefore can take no responsibility for the information provided and does not warrant the accuracy of same.

WARNING
 The information provided on this drawing in respect of statutory or other external service information cannot be guaranteed to be accurate, is given for assistance and general guidance and that routes may deviate. R. Robinson & Sons therefore can take no responsibility for the information provided and does not warrant the accuracy of same.

Rev	Date	Description	Drn	Clk	App
B	11/05/21	PLINTH AMENDED		MB	RH
A	20/04/21	Statue orientation amended		MB	RH

CLIENT: Causeway Coast & Glens Borough Council.

PROJECT: Proposed Works to Robert Dunlop Garden For William Dunlop.

TITLE: Working Drawings

Scales	1-20.	Drn by	M B	Project No.	R21/23.	Rev	B
		Chk by	R.Hunter.	Drawing No.	02	Date	AUG '21
		App by	R.Hunter.				

R. Robinson & Sons
 Chartered Architects & Civil Engineers
 'Albany Villas'
 59, High Street, Ballymoney BT53 6BG
 Telephone No. (028) 2766 2127
 Fax No. (028) 2766 6027